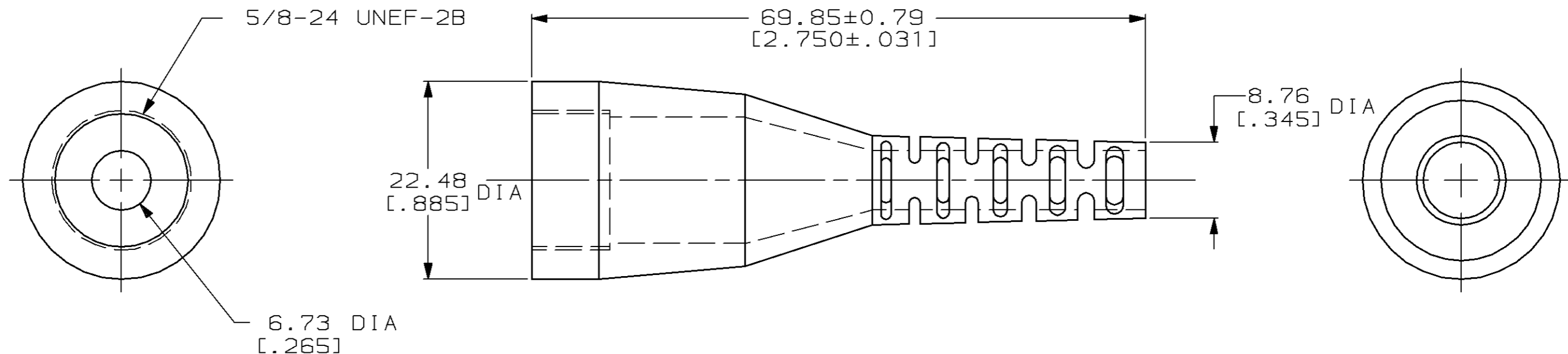


THIS DRAWING IS UNPUBLISHED. RELEASED FOR PUBLICATION, 19
 © COPYRIGHT 19 BY AMP INCORPORATED. ALL INTERNATIONAL RIGHTS RESERVED.

MOD	LOC	DIST	P	F	ZONE	LTR	DESCRIPTION	DATE	APPD
4	BD	35				B	REDRAW W/O CHANGE PER EC 0020-600-94	07/29/94	AF



1. CABLE RANGE IS 3.81 [.150] - 6.35 [.250] WHEN USED WITH CABLE GRIPPER P/N 207490-1.

207489-1

PART NO

DO NOT SCALE PRINT, UNLESS SPECIFIED
 DIMENSIONS IN mm [INCHES]
 TOLERANCES ON:
 2 PLC DEC ± 0.13 [.005]
 3 PLC DEC ± -
 ANGLES ± -

MATERIAL
 THERMOPLASTIC
 COLOR: BLACK

FINISH -

DR 07/29/94
 M.BINNER

CHK 8-8-94
 R.STONE

APPD 8-9-94
 A.FRANTUM

APPD 8-9-94
 A.FRANTUM

PRODUCT SPEC -

APPLICATION SPEC -

WEIGHT -

AMP

AMP Incorporated
 Harrisburg, PA 17105-3608

NAME

CABLE BOOT, FLEXIBLE,
 SIZE II, CPC

SIZE

B

CAGE CODE

00779

DRAWING NO

C-207489

SCALE

2:1

SHEET

1 OF 1

THIS DRAWING IS A CONTROLLED DOCUMENT FOR AMP INCORPORATED. IT IS SUBJECT TO CHANGE AND THE CONTROLLING ENGINEERING ORGANIZATION SHOULD BE CONTACTED FOR THE LATEST REVISION.